

Litestream LED

Underwater Lights

The Litestream LED under water light is modern in looks, and offers a warm white brightness and improved performance in pool coverage through its unique designed hexagonal diamond shaped lens pattern.

Most importantly the Litestream LED light offers energy savings, operating on 15% of the electrical power of a halogen light.

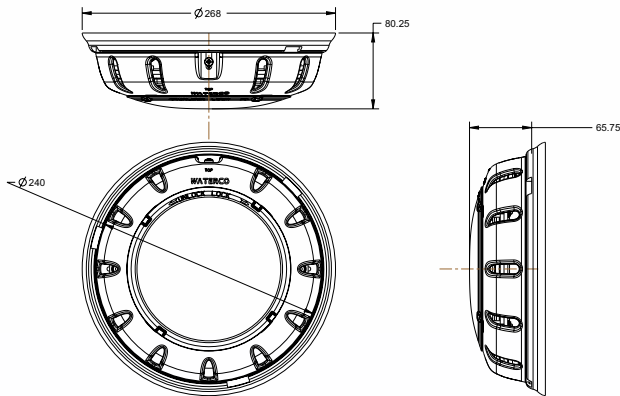
- Warm white German LEDs.
- Long life span of over 50,000 hours.
- Universal adaptor plate.
- Dual Voltage, enabling connection to 12 or 24 volt systems.
- Optional blue twist-lock lens.



Easily replace your existing pool halogen lights

Litestream LED Light can easily replace an existing halogen light as they can be connected to 12 or 24 volt systems, slashing your pool light electrical power requirements by 85%. Litestream LED Replacement Kit is supplied with two Retrofit Connectors (IP68) and an Universal twist-lock adaptor plate.

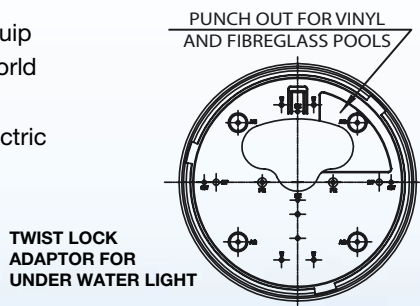
Dimensions



Waterco's Litestream LED Replacement Kit comes with a twist-lock adapter plate that can easily replace a majority of surface mount pool lights.

Each major brand of pool lights are marked on the twist-lock adapter plate.

- AQ = Aqua Quip
- SW = Swimworld
- ST = Stroud
- SE = Spa Electric
- PR = Poolrite



Technical Specifications

Zonal Distribution	Power Usage	Input Voltage (New Installation)	Input Voltage (Replacement Light)	LED Life
0 to 180 degrees	12 Watt	12V AC	12V-24V AC (Dual Voltage)	50,000 hours

Warranty

Litestream Underwater Lights are covered by a 12 month warranty.

OFFICES - AUSTRALIA

NSW - Sydney (Head Office)
Tel: +61 2 9898 8600
QLD - Brisbane
Tel: +61 7 3299 9900
VIC/TAS - Melbourne
Tel: +61 3 9764 1211
WA - Perth
Tel: +61 8 9273 1900
SA/NT - Adelaide
Tel: +61 8 8244 6000
ACT Distribution
Tel: +61 2 6280 6476

OFFICES - OVERSEAS

Waterco (Europe) Limited
Sittingbourne, Kent, UK
Tel: +44 (0) 1795 521 733
Waterco (USA) Inc
Augusta, Georgia, USA
Tel: +1 706 793 7291
Waterco Canada
Longueuil, Quebec, Canada
Tel: +1 450 748 1421
Waterco (NZ) Limited
Auckland, New Zealand
Tel: +64 9 525 7570

Waterco (C) Limited
Guangzhou, China
Tel: +86 20 3222 2180

Waterco (Far East) Sdn Bhd
Selangor, Malaysia
Tel: +60 3 6145 6000

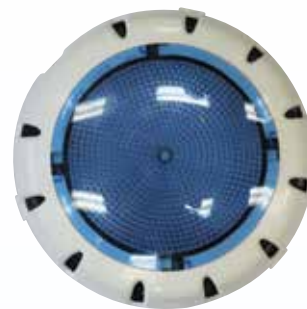
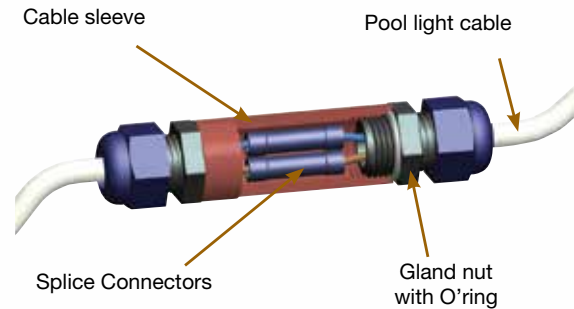
PT Waterco Indonesia
Jakarta, Indonesia
Tel: +62 21 4585 1481

Waterco Singapore Int'l Pte Ltd
Nehsons Building, Singapore
Tel: +65 6344 2378

Waterco France
SAINT PRIEST, France.
Tel: +33 4 72 79 33 30

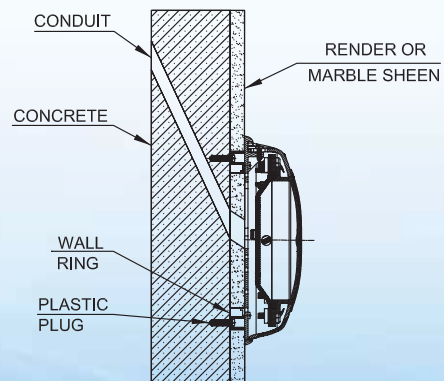
Retrofit Connector (IP68).

Easy to use Retrofit Connector, is supplied in two sizes, one that suits 6mm & less and another 6mm & plus power cable. Simply crimp both connections with the splice connectors, slide the cable sleeve over the connection and hand tighten the gland nuts.



The Litestream LED also offers an optional blue twist-lock lens for pool owners to quickly and easily change a pool's mood.

Installation Concrete Walled Pools



DISTRIBUTED BY:

WATERCO
water, the liquid of life



SPASA
AUSTRALIAN MEMBER